



CABLE MANAGEMENT SYSTEMS

Snap On Columns

Columns and Mini Columns (1&2 Compartments)

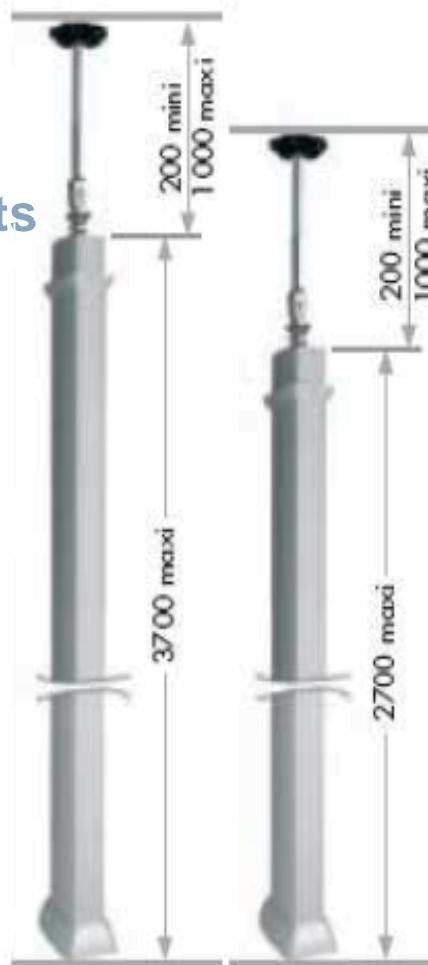


Perimeter Solution



Full Columns – Features 1 & 2 compartments

- The columns, Covers and partition are in **Anodised Aluminium** color
- Aluminium Material **100% recyclable**
- **Aluminium Anodised Lids**
- The base plate for fixing to the overhead are in **polycarbonate Black color**



- An Aluminium body of 1 or 2 compartment
- A Telescopic pole with accessories to adjust the Height
- Full aluminium columns 1 & 2 compartments, 2,70 m and 3,70 m can be adapted to a ceiling height 3.7m/4.7m
- Plastic Accessories
Base plate for fixing, Protection Cover, completion cover and **normaclip** are made of plastic PVC and painted with grey color aluminium
- Against **Mechanical Shocks : IK07**
- Wiring Devices can be **directly Clipped on to the Column**



CABLE MANAGEMENT SYSTEMS

Perimeter Solution



Full Columns – Range 1 compartment

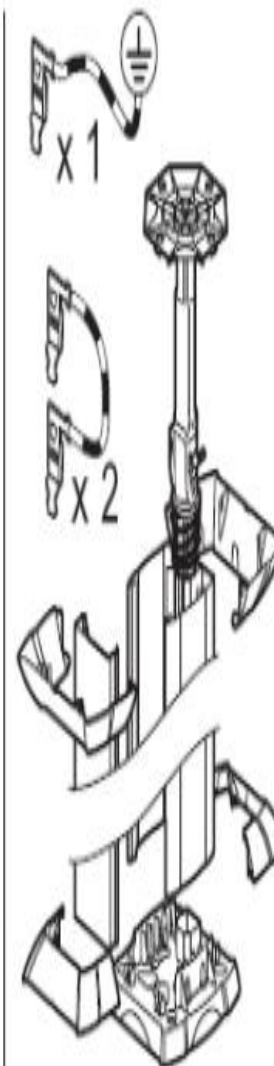
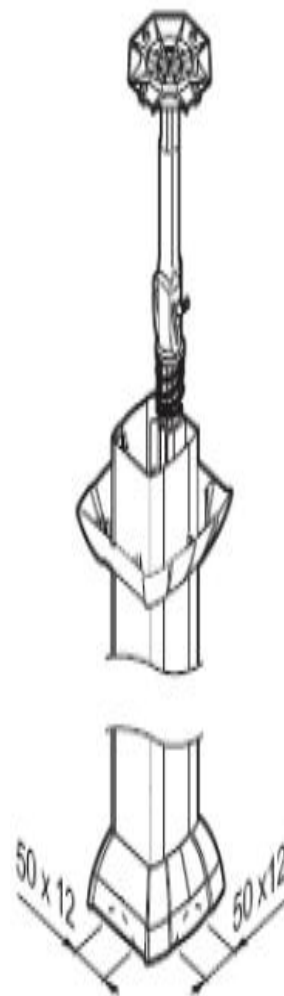
603800

- Height = 2.7m and can be fixed
Until height of 3.7m

603802

- Height = 3.7m and can be fixed
Until height of 4.7m

6038 00/02





CABLE MANAGEMENT SYSTEMS

Perimeter Solution



Full Columns – Range 2 compartment

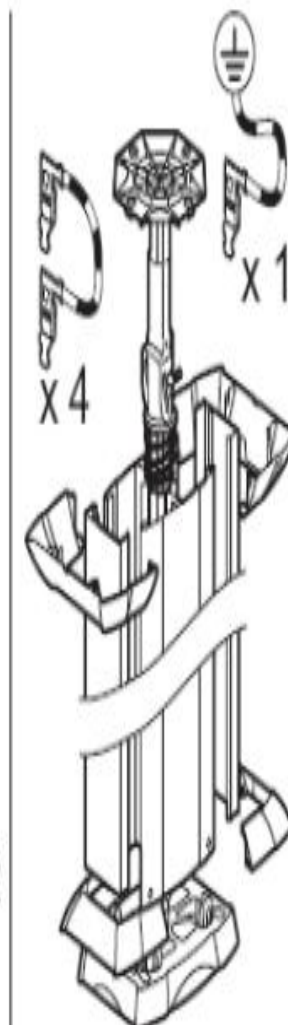
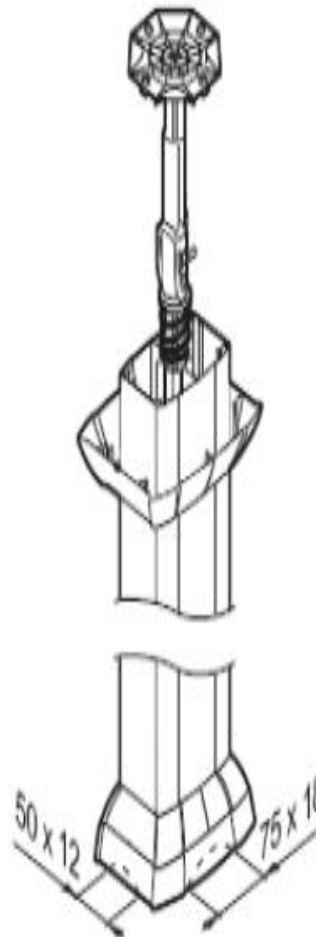
603801

- Height = 2.7m and can be fixed
Until height of 3.7m

603803

- Height = 3.7m and can be fixed
Until height of 4.7m

6038 01/03



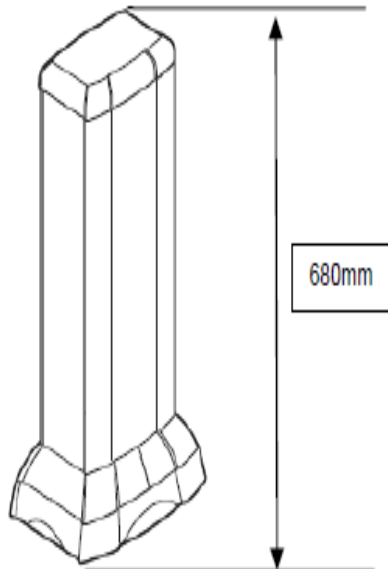
Perimeter Solution



Mini Column - Features



Dimensions.



- An Aluminium body 2 Compartments (Height 650 mm)
- Aluminium Anodised Lids (Height 650mm)
- One Base Plate for Fixing on to the Ground
- Wiring Devices can be directly Clipped on to the Column
- Poles are not Mobile
- It is possible to Install Partition Inside each compartment



CABLE MANAGEMENT SYSTEMS

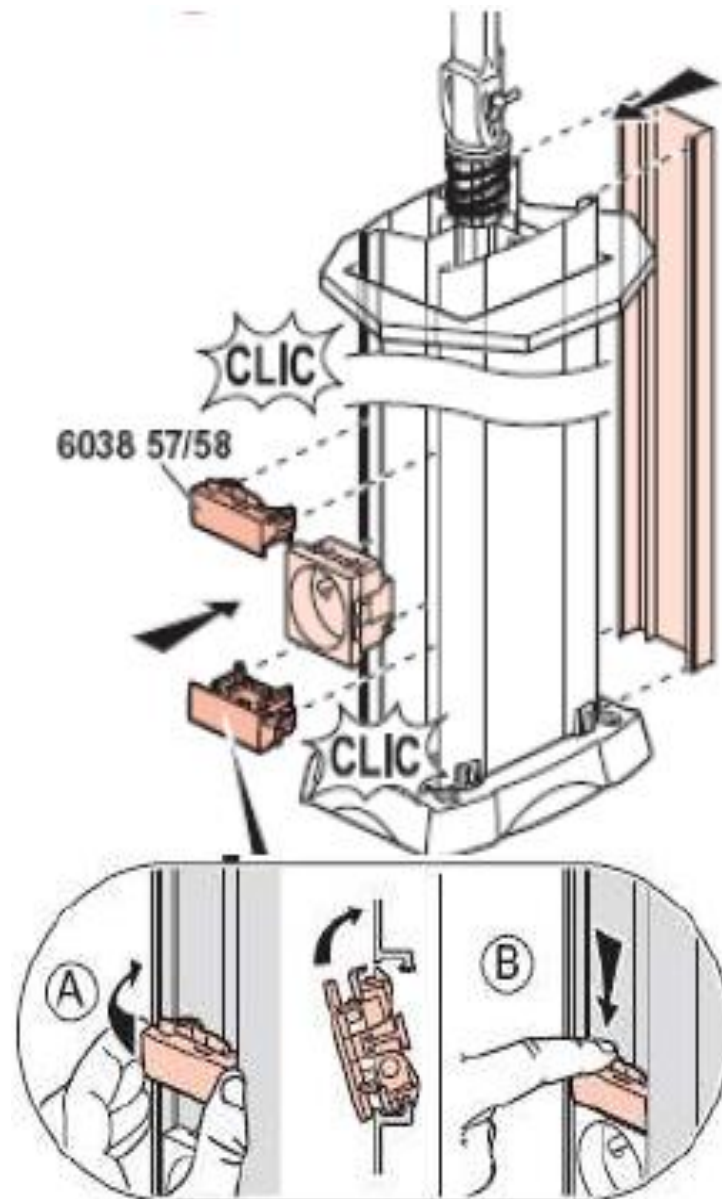
Perimeter Solution



Column - Normaclip

Accessory for Fixing wiring Devices
Inside the column.
Allows -

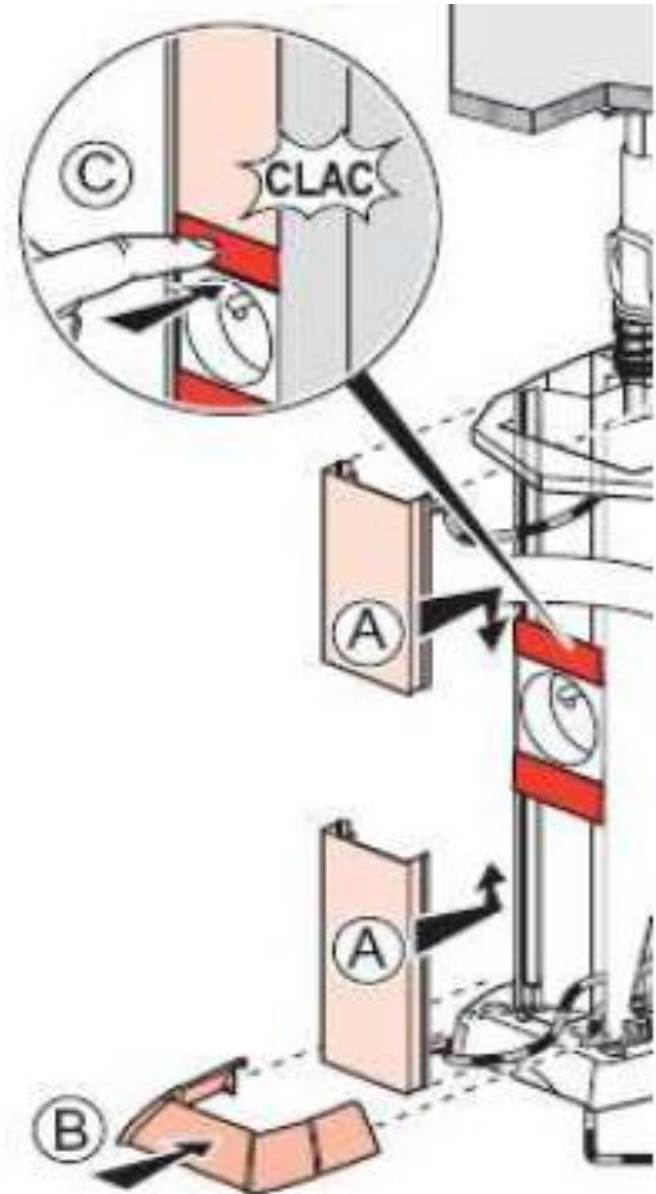
- Anti Slip
- Anti Pull-Out
- Perfect Finish
- Respect of the degree Protection (IP4X)



Perimeter Solution

Column – Installation 1 & 2 Compartments

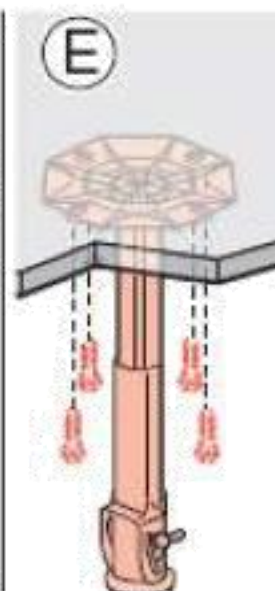
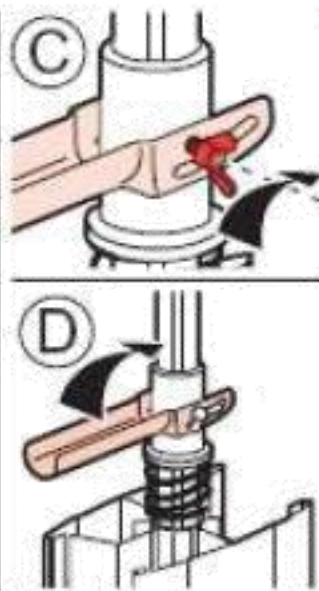
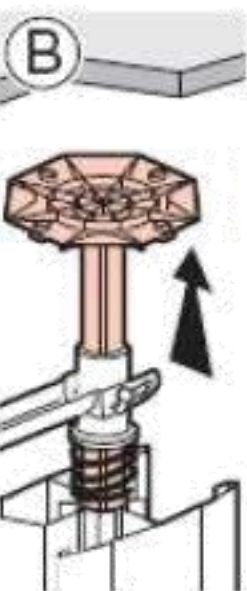
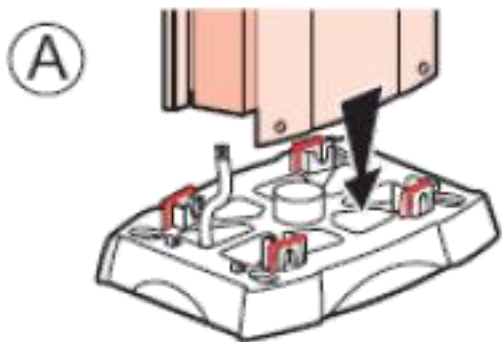
- Fix the Wiring Device
- Put the Normaclip
- Fix the Cover (A)
- Clip the Base Cover
- Push to Lock the Normaclip
- Column can be Grounded with Earthlink





Perimeter Solution

Column – Installation 1 & 2 Compartments



- A. Fix the body on the Base Plate
- B. Adjust the Telescopic pole Between Ground and Ceiling
- C. Tighten using the screw
- D. To fold back the lever against the Telescopic pole
- E. Fix the Base Plate or Fixing for the Overhead to the Ceiling
- F. Leave min 200mm between the Ceiling and the body of column allowing to correctly fold back the lever against the telescopic pole
- [Installation Video](#)